



# INDUCTION WOK with Apogee™ Controls



Project \_\_\_\_\_

Item No. \_\_\_\_\_

Quantity \_\_\_\_\_

### FEATURES

- Models available in 1800 (U.S. only), 2500, 3000, 3500 watts
- Portable design with stainless steel housing
- Touch controls with LCD display panel
- High-quality internal electronics and heavy gauge Litz wire
- Easy-to-clean high temperature glass-ceramic wok bowl
- Automatic pan detection allows for instant energy transmission to pan
- Lock feature prevents unwanted setting changes
- Programmed with 100 power cook settings
- Automatic shut-off feature prohibits overheating
- Integral grease filter and air baffle ensure air intake is cleaner and cooler
- Sloped front panel allows for easy viewing and operation
- Microprocessor monitors vital components to check for overheating, power supply issues, and more
- Integral fan keeps internal components cool
- Available in 100-120 VAC or 200-240 VAC, single phase
- Includes plug and cord (6 ft. nominal)
- Two-year advanced replacement warranty – U.S. and Canada

### PERFORMANCE

The CookTek® Induction Wok with Apogee™ Controls boasts a portable countertop design with stainless steel housing and a recessed glass-ceramic wok bowl intended for commercial kitchens and restaurants. An automatic shut-off feature, integral cooling fan, and self-diagnosing microprocessor allow for a safe kitchen environment. Each unit is equipped with a built-in timer and 100 precise power settings to ensure maximum and efficient heating of any induction compatible wok pan.\*

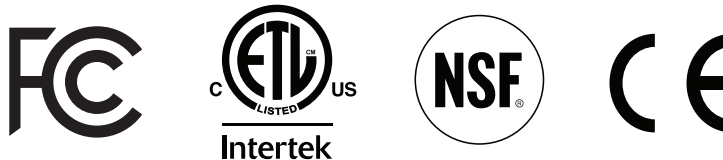
### ACCESSORIES (NOT INCLUDED)

- 14" (356 mm) Stainless Steel Wok (Part # CT-103871)
- Wok Replacement Handle (Part # CT-102881)



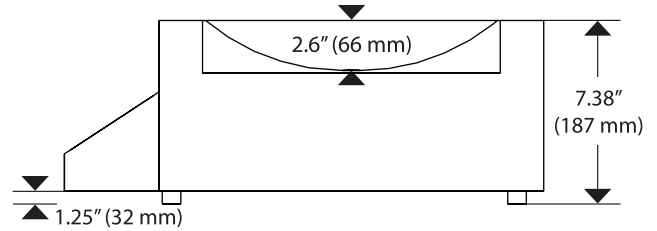
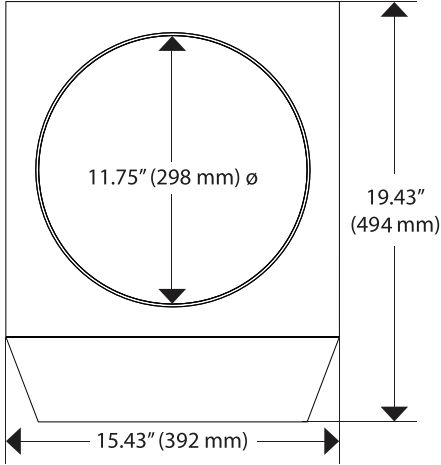
CT-103871

### CERTIFICATIONS



\*Induction cooking requires the use of induction compatible (i.e. magnetic) cookware.

It is the owner and installer's responsibility to comply with all local codes. CookTek reserves the right to make substitutions of components or change specifications without prior notice.



DIMENSIONS		
Full Unit Height	7.38"	187 mm
Housing Height	6.16"	156 mm
Full Unit Width	15.43"	392 mm
Full Unit Depth	19.43"	494 mm
Bowl Width	11.75" $\varnothing$	298 mm $\varnothing$
Bowl Vertical Depth	2.6"	66 mm
Feet Height	1.25"	32 mm
Weight	23.3 lb.	10.6 kg
Max Ambient Temperature	122°F	50°C
WALL CLEARANCE		
Front	2"	51 mm
Sides	2"	51 mm
Rear	2"	51 mm
SHIPPING INFORMATION		
Packaged Height	13"	330 mm
Packaged Width	23"	584 mm
Packaged Depth	24"	610 mm
Packaged Weight	26 lb.	11.8 kg
Item Class	250 NMFC #26710	

ELECTRICAL SPECIFICATIONS (SINGLE PHASE)			
UNITED STATES/CANADA			
MW1800G	621201	100-120 V, 50/60 Hz, 15 A, 100-1800 W	NEMA 5-15P
MW2500G	621301	200-240 V, 50/60 Hz, 12 A, 100-2500 W	NEMA 6-20P
MW3000G	621401	200-240 V, 50/60 Hz, 14 A, 100-3000 W	NEMA 6-20P
MW3500G	621501	200-240 V, 50/60 Hz, 15 A, 100-3500 W	NEMA 6-20P
UK AND SAUDI ARABIA			
MW2500G	621302	200-240 V, 50/60 Hz, 12 A, 100-2500 W	BS1363
MW3000G	621402	200-240 V, 50/60 Hz, 14 A, 100-3000 W	BS1363
MW3500G	621502	200-240 V, 50/60 Hz, 15 A, 100-3500 W	IEC 309, 16A, 3-pin
INTERNATIONAL			
MW2500G	621303	200-240 V, 50/60 Hz, 12 A, 100-2500 W	CEE 7/7 Schuko
MW3000G	621403	200-240 V, 50/60 Hz, 14 A, 100-3000 W	CEE 7/7 Schuko
MW3500G	621503	200-240 V, 50/60 Hz, 15 A, 100-3500 W	CEE 7/7 Schuko
AUSTRALIA			
MW2500G	621304	200-240 V, 50/60 Hz, 12 A, 100-2500 W	AS/NZS 3112:2000, 10A, 250V
MW3000G	621404	200-240 V, 50/60 Hz, 14 A, 100-3000 W	AS/NZS 3112:2000, 15A, 250V
MW3500G	621504	200-240 V, 50/60 Hz, 15 A, 100-3500 W	AS/NZS 3112:2000, 15A, 250V
SOUTH AFRICA			
MW2500G	621307	200-240 V, 50/60 Hz, 12 A, 100-2500 W	BS 546, 16A, 250V
MW3000G	621407	200-240 V, 50/60 Hz, 14 A, 100-3000 W	BS 546, 16A, 250V
MW3500G	621507	200-240 V, 50/60 Hz, 15 A, 100-3500 W	BS 546, 16A, 250V
ISRAEL			
MW2500G	621308	200-240 V, 50/60 Hz, 12 A, 100-2500 W	SI 32, 16A, 250V
MW3000G	621408	200-240 V, 50/60 Hz, 14 A, 100-3000 W	SI 32, 16A, 250V
MW3500G	621508	200-240 V, 50/60 Hz, 15 A, 100-3500 W	SI 32, 16A, 250V

- |  |                     |  |                             |
|--|---------------------|--|-----------------------------|
|  | NEMA 5-15P          |  | AS/NZS 3112:2000, 10A, 250V |
|  | NEMA 6-20P          |  | AS/NZS 3112:2000, 15A, 250V |
|  | BS1363              |  | BS 546, 16A, 250V           |
|  | IEC 309, 16A, 3-pin |  | CEE 7/7 Schuko              |
|  | SI 32, 16A, 250V    |  |                             |

Dedicated circuit required for each installation

**Global Operations**  
 2801 Trade Center Drive / Carrollton, Texas 75007 USA  
 International: +1 214.379.6000 www.cooktek.com



**UK & Ireland Distributor**

**MCS Technical Products Ltd**  
 Swindon, SN5 7YT, UK +44 (0)1793 538308  
 sales@mcstechproducts.co.uk www.mcstechproducts.co.uk